

# Sit-Down Counterbalanced Truck Model 4450: Specification Sheet



# Model 4450:

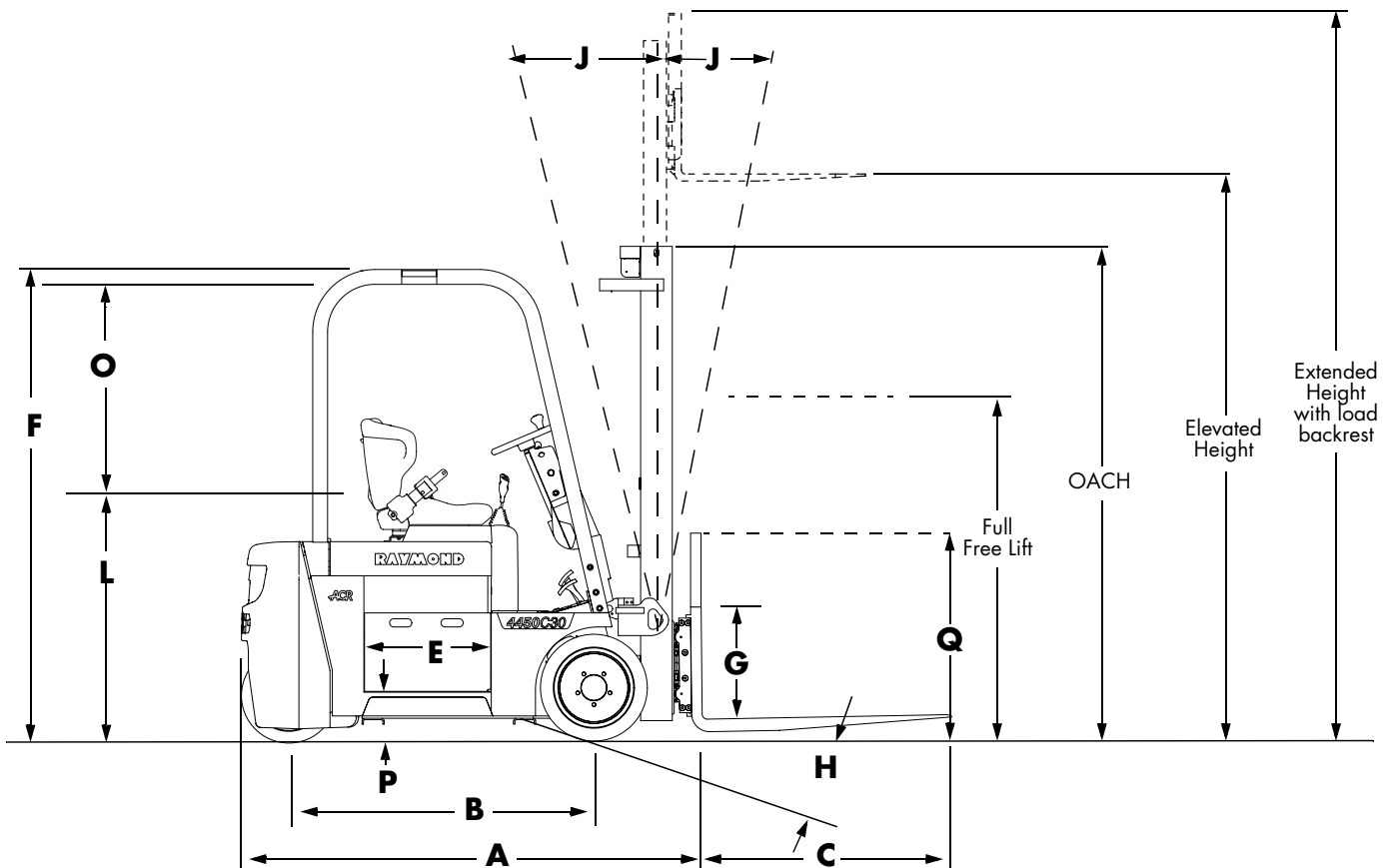
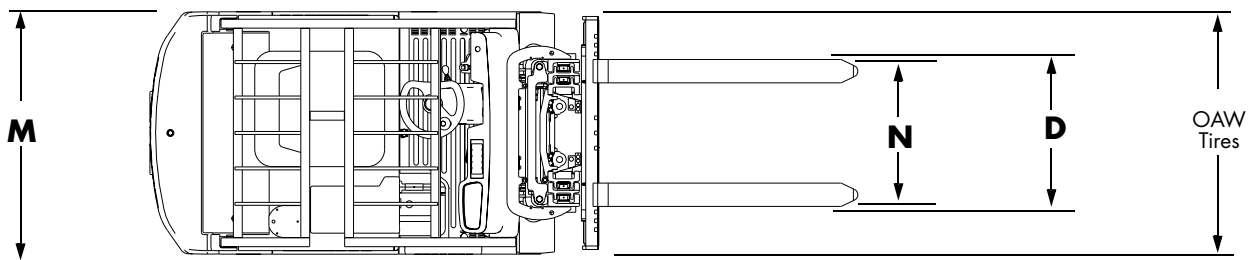
## What Excellence Looks Like

### Maneuverable... Durable... Innovative.

The Model 4450 represents true excellence in a multi-purpose truck. With outstanding reliability, maneuverability, durability and more, this Raymond offering gets the job done right... day after day. It's the ideal truck for working the dock, ramps, tight manufacturing spaces, long-distance transport, and so much more.

### Key Features & Benefits

- › Superior maneuverability and speed
- › Standard oil-cooled disc brakes are built to last
- › Raymond's exclusive *ACR System™* with AC drive and lift motors
- › Outstanding comfort and intuitive controls
- › Backed by Raymond's industry-leading service and support network



## DIMENSIONS

Models		4450-C30 TF, TT	4450-C35S TF, TT	4450-C35 TF, TT	4450-C40 TF, TT	
A	Truck Head Length w/o Sideshift	in. (mm)	75.9 (1927)	77.2 (1962)	80.2 (2037)	81.6 (2072)
A	Truck Head Length w/Sideshift	in. (mm)	77.2 (1962)	78.6 (1996)	81.5 (2071)	82.9 (2106)
B	Truck Wheelbase	in. (mm)	51.4 (1305)		55.7 (1415)	
	Truck Weight w/o Battery, with 188" TT Mast	lbs. (kg)	6431 (2917)	6960 (3157)	6505 (2951)	7034 (3191)
C	Forks, Hook Type (Std.) (L x W x T)	in. (mm)	42 x 4 x 1.75 (1067 x 100 x 45)			
D	Fork Adjustment	in. (mm)	9 x 33 (230 x 838)			
E	Battery Compartment Width	in. (mm)	20.86 (530)		25.19 (640)	
F	Overhead Guard Height	in. (mm)	79 (2007)			
G	Carriage Height w/o Std. Load Backrest	in. (mm)	20 (508)			
	Right-Angle Stack (w/pallet LxW=48"x40")	in. (mm)	128.2 (3256)	129.5 (3290)	132.5 (3366)	133.9 (3400)
H	Grade Clearance	%	18.2		16.7	
J	Mast Tilt (back/forward)	°	6°/3°			
J	Quad Mast Tilt (back/forward)	°	4°/3°			
	Max Gradability (loaded/unloaded)	%	20/25	20/25	19/25	19/25
L	Seat Height	in. (mm)	39.2 (995.2)			
M	Chassis Width/OAW Tires	in. (mm)	41.3 (1050)			
N	Mast Width (TT)	in. (mm)	24.8 (630.5)			
O	Top of Seat to Underside of Overhead Guard	in. (mm)	38.6 (980.4)			
P	Battery Compartment Height (from floor to slides)	in. (mm)	8.68 (220.5)			
Q	Load Backrest	in. (mm)	48 (1219)			
	Tires - Cushion/Super Elastic	in. (mm)	Drive - 18 x 7 (457 x 178) Steer - 16 x 6 (406 x 152)			

## PERFORMANCE SPECIFICATIONS

Models	C30		C35S		C35		C40	
	Loaded	Unloaded	Loaded	Unloaded	Loaded	Unloaded	Loaded	Unloaded
<b>Main Controls - 36 Volt</b>								
Travel Speed mph (km/h)	8.0 (12.9)	8.5 (13.7)	8.0 (12.9)	8.5 (13.7)	8.0 (12.9)	8.5 (13.7)	8.0 (12.9)	8.5 (13.7)
Lift Speed fpm (m/s)	65 (0.33)	100 (0.51)	65 (0.33)	100 (0.51)	65 (0.33)	100 (0.51)	65 (0.33)	100 (0.51)
Lower Speed fpm (m/s)	94 (0.48)	75 (0.38)	94 (0.48)	75 (0.38)	94 (0.48)	75 (0.38)	94 (0.48)	75 (0.38)
<b>Main Controls - 48 Volt</b>								
Travel Speed mph (km/h)	9.0 (14.5)	9.5 (15.3)	9.0 (14.5)	9.5 (15.3)	9.0 (14.5)	9.5 (15.3)	9.0 (14.5)	9.5 (15.3)
Lift Speed fpm (m/s)	80 (0.41)	115 (0.58)	80 (0.41)	115 (0.58)	80 (0.41)	115 (0.58)	80 (0.41)	115 (0.58)
Lower Speed fpm (m/s)	94 (0.48)	75 (0.38)	94 (0.48)	75 (0.38)	94 (0.48)	75 (0.38)	94 (0.48)	75 (0.38)
<b>Auxiliary Function Flows and Pressures</b>								
3rd Function Flow (gpm)	2.5-6		2.5-6		2.5-6		2.5-6	
3rd Function Pressure (psi)	1740		1740		1740		1740	
4th Function Flow (gpm)	2.5-6		2.5-6		2.5-6		2.5-6	
4th Function Pressure (psi)	2030		2030		2030		2030	

## MAST SPECIFICATIONS

Models	OACH - in. (mm)	Elevated Height - in. (mm)	Extended Height w/Load Backrest - in. (mm)	Free Lift - in. (mm)
C30 / C35S / C35 / C40 TF	85 (2159)	126 (3200)	174 (4420)	37 (940)
	89 (2261)	134 (3404)	182 (4623)	41 (1041)
C30 / C35S / C35 / C40 TT	83 (2108)	188 (4775)	236 (5994)	35 (889)
	88 (2235)	201 (5105)	249 (6325)	40 (1016)
	95 (2413)	222 (5639)	270 (6858)	47 (1194)
	101 (2565)	237 (6020)	285 (7239)	53 (1346)
C30 / C35S / C35 / C40 QM	107 (2718)	251 (6375)	299 (7595)	59 (1499)
	83 (2108)	240.5 (6109)	288.5 (7328)	35 (889)
	89 (2261)	258.5 (6566)	306.5 (7785)	41 (1041)

## BATTERY SPECIFICATIONS

		C30/C35S TF, TT	C35/C40 TF, TT
Maximum Usable Battery Compartment L x W x H	in. (mm)	38.8 x 20.86 x 23 (985 x 530 x 584)	38.8 x 25.19 x 23 (985 x 640 x 584)
Minimum Battery Weight	lb (kg)	1450 (658)	2050 (930)
Maximum Battery Weight	lb (kg)	2250 (1021)	2600 (1179)
Ampere-hours, Max.	Ah (@ 36V)	880	1100
	Ah (@ 48V)	680	850

# Technical Overview

## Standard equipment: Get more... do more.

- › *ACR System*, for refined travel and lift
- › Meets or exceeds all ANSI/ITSDF B56.1 safety standards
- › Integral side shift
- › UL Type "E" construction
- › Oil-cooled enclosed brake assembly, completely protected from harsh conditions
- › Regenerative motor braking extends brake life
- › Rack and pinion steering, synchronized for smoother handling
- › Precise travel and lift control
- › Mast tilt: 3-forward, 6-back
- › 36 volt AC system
- › Premium seat with 3-way adjustment for maximum operator comfort
- › Tilt wheel enables customized comfort and control
- › Forward / reverse controls on steering column with one convenient foot pedal
- › Whisper quiet design reduces noise levels
- › Full-function display with diagnostic capability enables clear viewing of:
  - › Electronic hour meter
  - › Lift interrupt
  - › Low brake fluid level
  - › Indicator lights for motors, park brake, steering direction
  - › Run-time diagnostics
- › Color-coded hydraulic levers keep tasks simple
- › Exclusive dual-side battery slide-out and removal
- › Simple, efficient lift out battery removal
- › High-visibility mast improves control and safety
- › Counterweight integral brake lights
- › Counterweight integral back up lights
- › Large drive and steer tires
- › 48" load backrest
- › 42" forks
- › Metal battery cover and seat deck
- › Drawbar pin
- › Rubber floor mat
- › Steer tiller knob

## Options: Get the Most From Your 4450

- › UL Label, Type "E" or "EE"
- › Hydraulic customization for attachments
- › Conditioning for coolers and freezers
- › Various fork styles and lengths, enabling you to create the right truck for the job
- › Drive-in-rack overhead guard
- › Alarms, work lights, strobe warning light
- › Mirrors
- › Special Tilt mast: 5-forward, 6-back
- › Bottlers Tilt mast: 9-forward, 6-back
- › 48 volt AC system
- › Fingertip controls
- › Two-pedal control for forward and reverse
- › Super elastic tires
- › Non-marking tires
- › Battery spacers
- › Battery gate interlock
- › Manuals

**RAYMOND**  
*Above. And beyond.®*

**The Raymond Corporation**  
**P.O. Box 130**  
**Greene, NY 13778-0130**  
**Toll free 1 (800) 235-7200**  
**Fax 1 (607) 656-9005**  
**www.raymondcorp.com**

Due to continuous product improvements, specifications are subject to change without notice. *Above. And beyond.*, *ACR System*, and *Raymond* are U.S. trademarks of The Raymond Corporation.

©2009 The Raymond Corporation, Greene, NY.

Printed in USA.

SIFB-1002 1109CT-10

